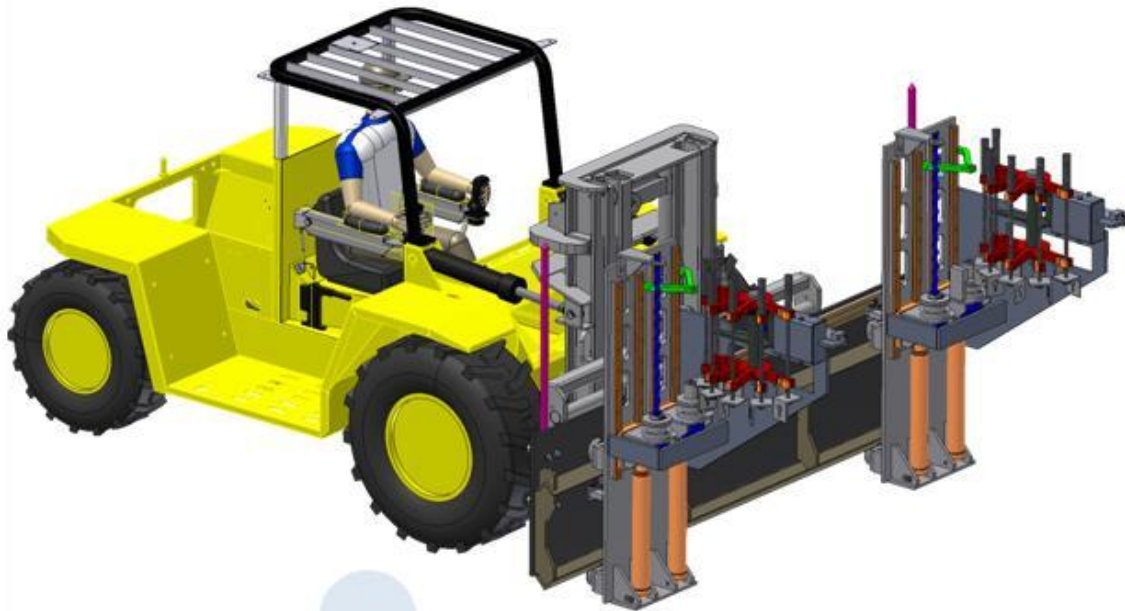


# DynaBolter

## Dual Bolter



The DynaBolter, a roof bolter designed for the potash industry, increases productivity and safety while decreasing costs.

### Key features include:

- ◆ Installs 2-20" bolts in a 7'-0" to 17'-6" ceiling
- ◆ Six bolt magazine increases efficiency and productivity
- ◆ Conveyor and eye bolt capable
- ◆ Operator friendly state-of-the-art hydraulic control
- ◆ Multiple bolting widths up to 84"

**For more information**  
contact Lane Thomsen at:  
Cell: (306)540-2915  
Fax: (306)352-5004  
lanet@dynaindustrial.com



## DynaBolter Specifications

### General

Power Type	Diesel
Operation Type	Sit-Down
Operators	1
Onboard LCD Operation Screen	Yes
Color	Customer Specific
Roll Protection	Yes

### Chassis

Type	Sellick SG-60R
Overall Length	141"
Overall Width	78"
Overall Height	75"
Ground Clearance	11"
Wheelbase	87"
Outside Turning Radius	178"
Travel Speed	19 mph

### Engine

Manufacturer and Model	Perkins 1100
Fuel Type	Diesel
Cylinders	4
Power @2200 rpm	83 hp
Torque @1400 rpm	223 ft-lbs

### Transmission

Type	4-Speed fully automatic powershift
------	------------------------------------

### Hydraulics

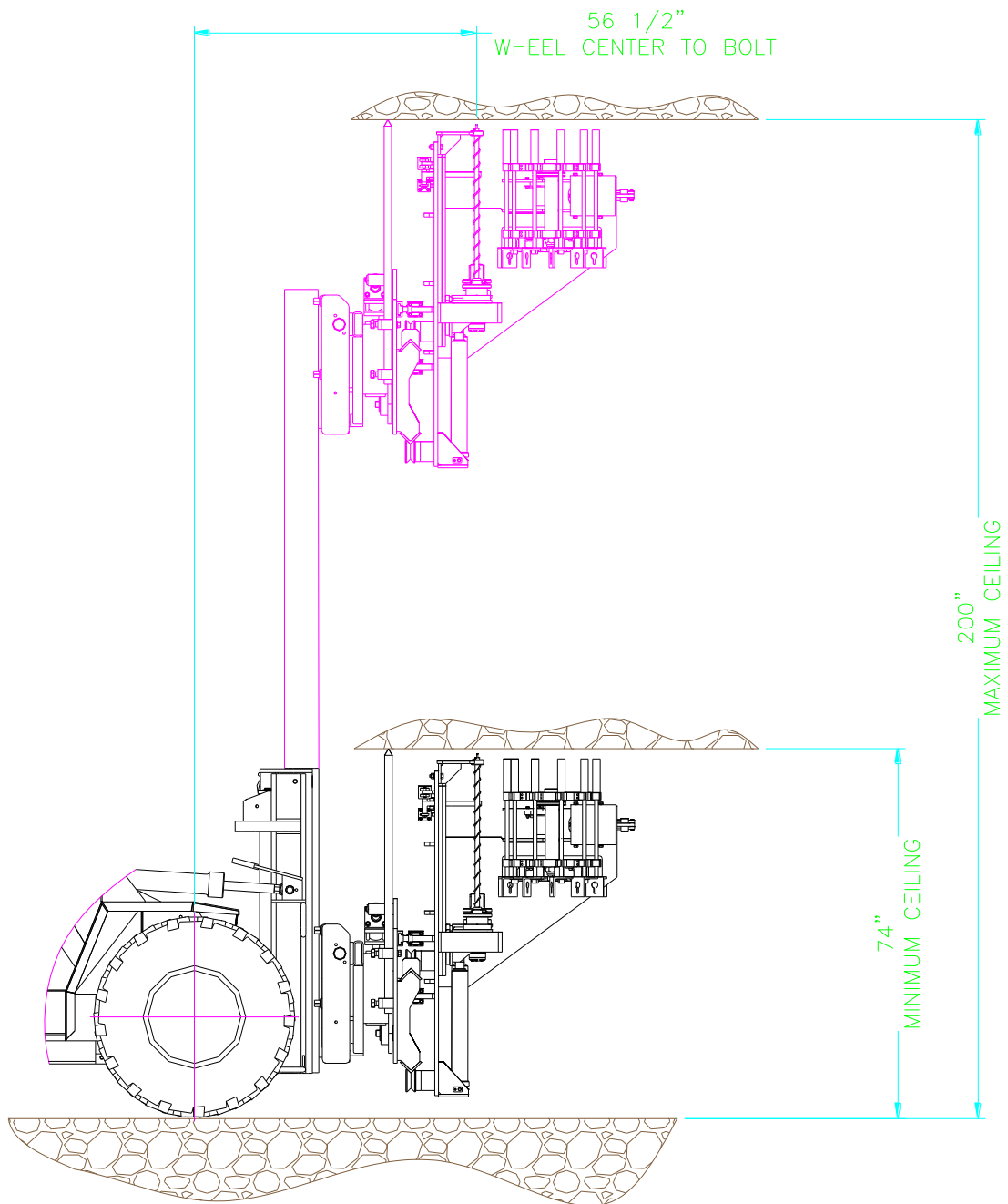
Control Type	Electro-hydraulic
Hydraulic Tank Capacity	75 gal
Hydraulic Pump Aux Capacity	25 gpm
Hydraulic Functions	15

### Other

On-board air	No-Available
Carosel Bolt Capacity	6
Wedge anchor capable	Yes
Epoxy anchor capable	No
Sask Mine Spec 2003 Compliant	Yes

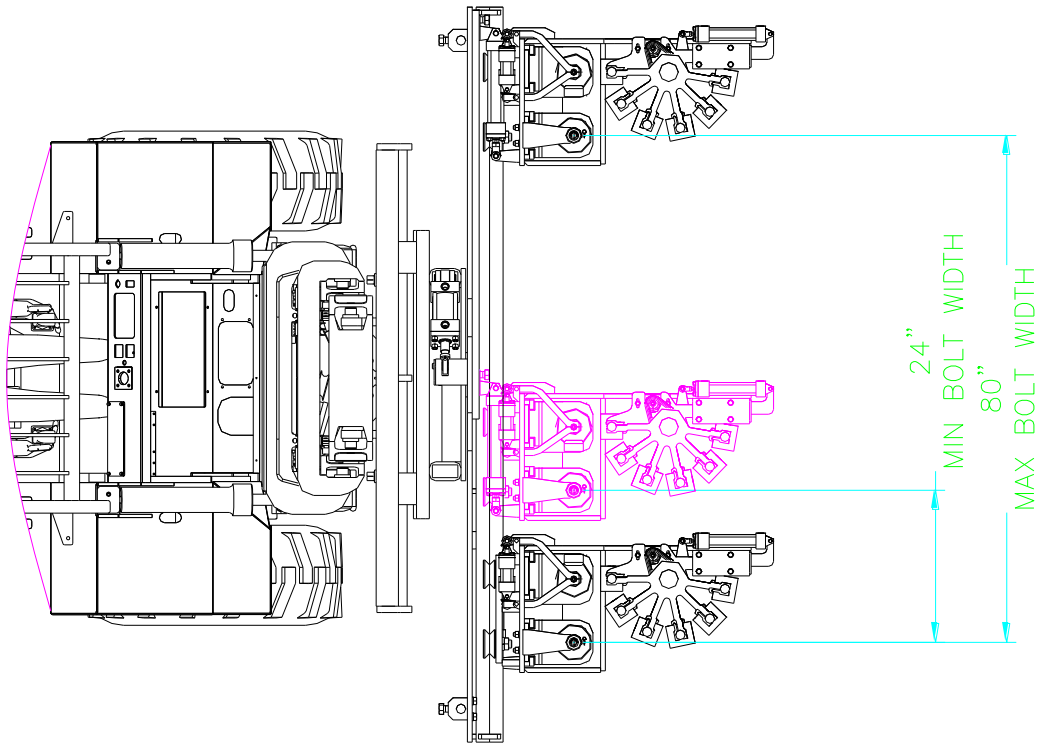
### Bolting Capability

Dynabolter bolting capability is illustrated on the following Figures 1 and 2



DUAL BOLTER REACH – SIDE VIEW

**Figure 1**



DUAL BOLTER REACH – TOP VIEW

**Figure 2**